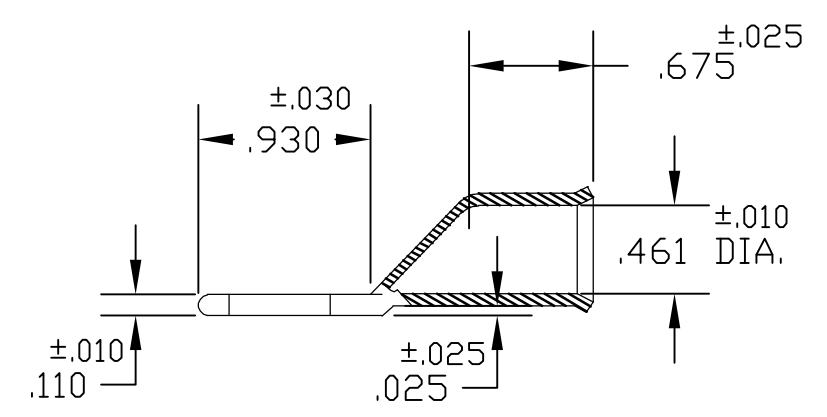
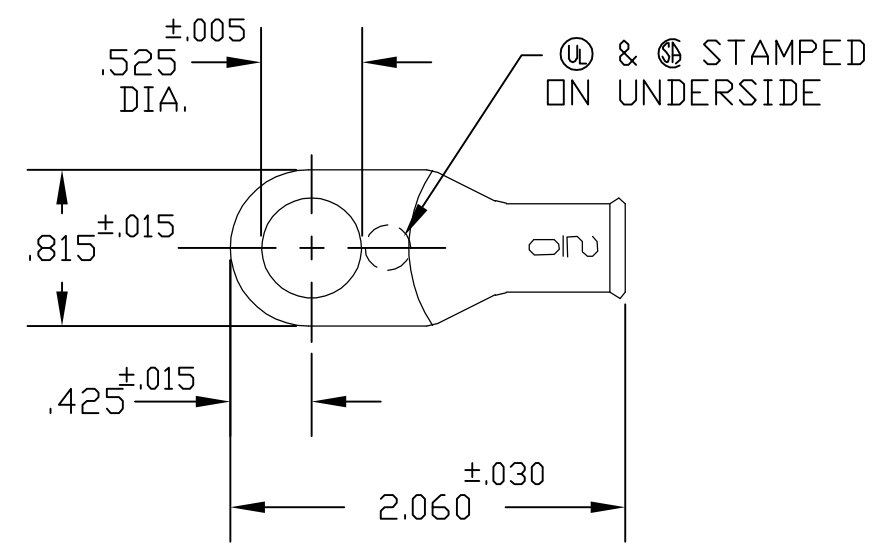


THIS DRAWING IS UNPUBLISHED. RELEASED FOR PUBLICATION
 © COPYRIGHT - BY TYCO ELECTRONICS CORPORATION. ALL RIGHTS RESERVED.

LOC	DIST	REVISIONS					
		P	LTR	DESCRIPTION	DATE	DWN	APVD
G	50		B1	REVISED PER ECR-06-011359	16MAY06	HMR	JR



ACTIVE	20501-00-D	SMALL PACK	PLAIN	8-1526781-1
ACTIVE	20501-01	STANDARD	TIN PLATE	1526781-2
ACTIVE	20501-00	STANDARD	PLAIN	1526781-1
STATUS	AET P/N	PACKAGING	FINISH	PART NUMBER

THIS DRAWING IS A CONTROLLED DOCUMENT.		DWN D.A.A 10/9/00	Tyco Electronics Corporation Harrisburg, PA 17105-3608		
DIMENSIONS: INCHES		CHK H.D.F 10/9/00			
		APVD H.D.F 10/9/00	2/0 STANDARD TERMINAL		
TOLERANCES UNLESS OTHERWISE SPECIFIED:		PRODUCT SPEC	SIZE		
0 PLC ± -		APPLICATION SPEC	CAGE CODE	DRAWING NO	RESTRICTED TO
1 PLC ± -		—	—	—	—
2 PLC ± -		—	—	—	—
3 PLC ± -		—	—	—	—
4 PLC ± -		—	—	—	—
ANGLES ± -		—	—	—	—
FINISH		WEIGHT	—	—	—
COPPER ASTM B-152		CUSTOMER DRAWING		SCALE	1:1
		A3 00779 C-1526781		SHEET	1 OF 1
				REV	B1